

Column Installation Instructions

Tools & Materials Needed for Installation

| | |
|------------------------------------|-------------------------------------|
| Pencil | Level |
| Circular saw with Masonry Blade * | Angle square/angle measurement tool |
| Utility knife | Tape measure 25-30 ft. |
| Sand Paper (50 grit) | Caulk gun |
| Shims | Rags |
| Hammer | Construction adhesive |
| Screws, bolts, nuts, washers, etc. | Chalk line |
| Caulk ** | |

* Circular saw with Masonry Blade needed only if columns aren't factory split or factory cut to overall height

** BASF's MasterSeal Np-1 or TX-1 Caulk can be used for RoyalStone™ (colors come close to those offered by Royal Corinthian)

Column Installation

Note: Due to the weight of Decorative Capitals and large column shafts, please consult contractor and engineer in each application. Equipment may be required to assist in the lifting of Decorative Capitals and/or column shafts. Please use appropriate protective gear at all times. For split columns incorporate the 7 split column installation steps into the 14 steps below. Read instructions all the way through before beginning installation.

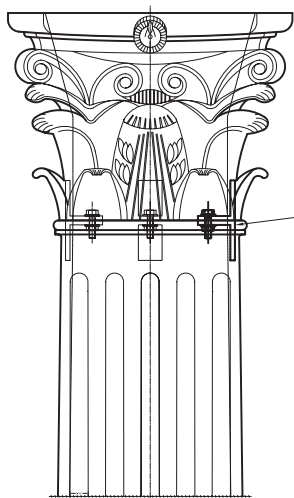
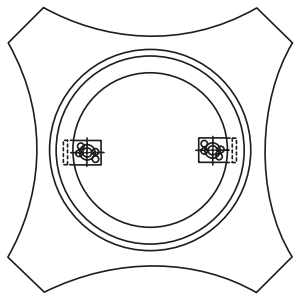
1. Position of base is determined by dropping plumb line from center of soffit to the floor. Mark the point with an X. This point is where the center of the base will sit so that the shaft and capital will align with the center of the soffit.
2. Measure the overall height from floor to soffit. Raise soffit slightly with brace for easy installation of column or allow for "breathing room" between the overall height of the column and the rough opening. Any extra room between the bottom of the column shaft and the floor (or sometimes the base if shaft sits on base as opposed to inside of it) can be eliminated by shimming up the column shaft with an upward pressure (for load-bearing installations, do not use the shim method).
3. All column shafts used with Decorative Capitals should be trimmed flush above the neck ring or astragal. Columns can be ordered from Royal Corinthian with a cut at neck or the cut can be made on site using a circular saw. Decorative capitals above 16" use an embedded L-bracket installation method as opposed to an extended neck and need to be cut at neck by Royal Corinthian to accommodate said hardware. The L-brackets can be removed during fabrication if this method is not desired. The Decorative Capital should sit flush on the bead or astragal with the neck extension of the capital (if applicable) sliding into the shaft.
4. Column shaft should then be trimmed from the bottom only to achieve the overall height of the opening (allow some space so that column won't be forced into the opening or raise the soffit per step 2; for load-bearing installations, only use the soffit raising method). Royal Corinthian can cut columns to your overall height requirement: Per industry standards, columns may come slightly longer than nominal unless a cut to overall height is requested. Overall column height includes the Decorative Capital and the column shaft after the cut at neck. Typically, the column base slides over the shaft and does not add to the overall height as with Tuscan and Doric caps on most columns. In some instances, the column shaft will sit on the base so the base would also be included in the overall height.
5. Slide base onto column shaft from the bottom.
6. Place shaft into base. While shaft is being held in a slightly angled position, slide Tuscan or Doric Capital around the shaft or the Decorative Capital into the shaft. Make sure the neck extension of Decorative Capital slides all the way down into the shaft and the Decorative Capital sits flush on the bead or astragal. (For 18" Decorative Capitals and up, secure Decorative Capital to shaft neck using embedded L-brackets with nuts, washers and bolts)
7. Straighten the column until the Capital or Decorative Capital is in position under the soffit and the base is centered around the mark on the floor.
8. Anchor Capital or Decorative Capital into soffit by pre-drilling and using a toenailing attachment method. Use stainless steel screws and seal with appropriate caulk. Waterproof silicone caulk recommended for RoyalCast columns.
9. Attach Decorative Capital with extended neck to shaft by drilling pilot holes through the shaft and into the neck extension of the Decorative Capital. Secure with toenailing attachment method.
10. If installation requires the use of L-brackets at the bottom of the shaft prior to the column bearing weight, use small L-brackets to insure that base will cover them when seated. In securing bracket to shaft, use through bolts not screws. Do not over tighten.
11. If applicable, remove brace from step 2 to allow load to bear on column.
12. Secure base to floor using appropriate fasteners
13. Caulk between the Decorative Capital and soffit, the cap and shaft, and the base and shaft to insure a finished appearance.
14. If joining a split Decorative Capital, apply a two-part epoxy and join the two halves. Use strapping to hold the two halves together while the epoxy hardens.

Split Columns Installation

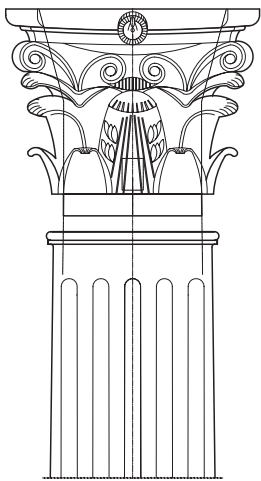
- 1- Wrap shaft around existing column or beam
- 2- Apply heavy duty caulk or epoxy to the seams
- 3- Attach base around the bottom of the column and fasten to the ground with screws
- 4- Strap column and base halves together until they bond
- 5- Similarly attach the capital on top of the column and fasten it to the ceiling with screws
- 6- Strap the capital halves together until they bond
- 7- To conceal seams, clean with a wet rag after applying caulk and epoxy

To more efficiently cover up seams on paint-grade fiberglass columns use a car-bondo or putty and apply against the seams in order to conceal them. Sand the seams smooth.

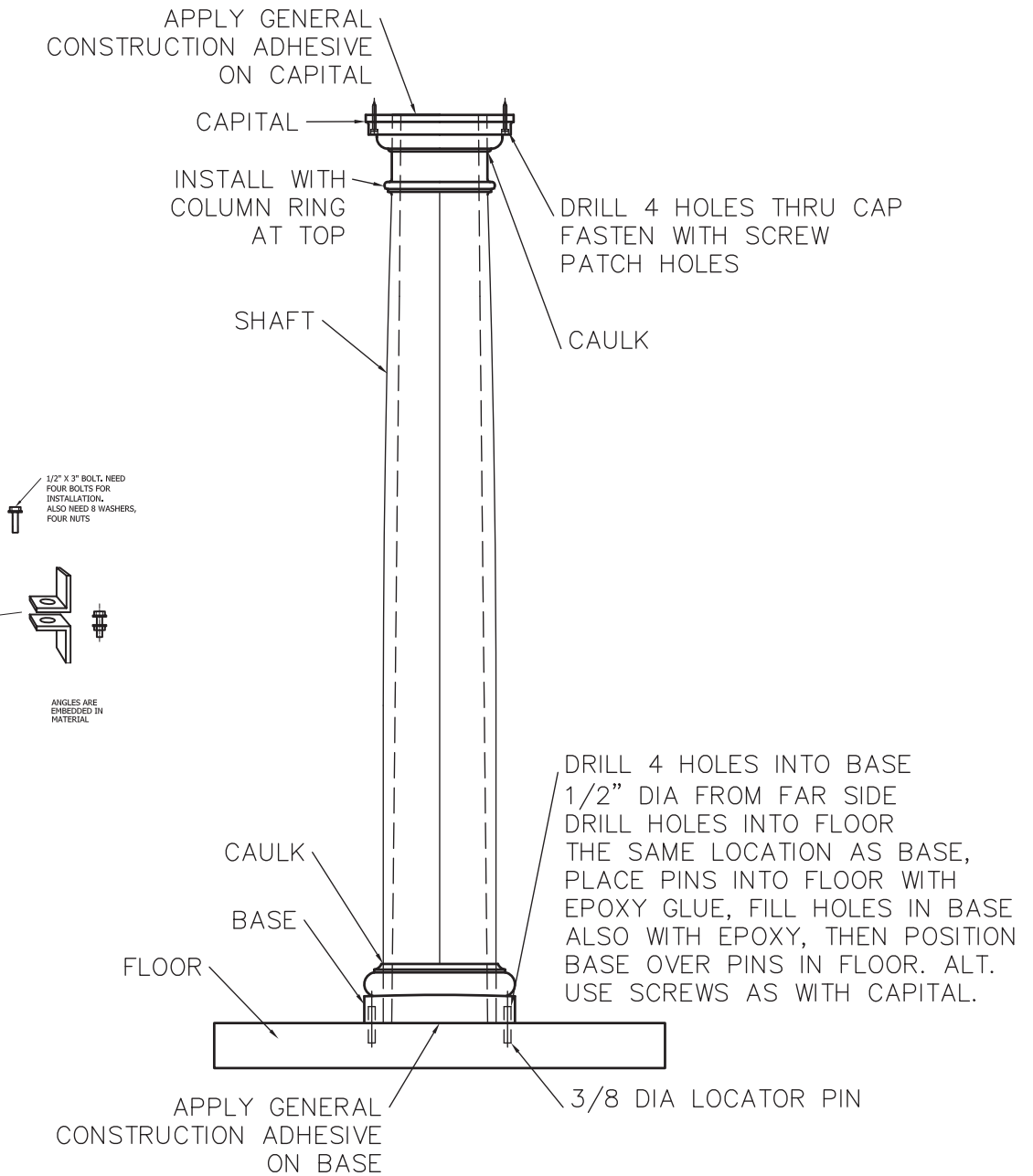
Column Installation



* Type one installation



* Type two installation



* All decorative capitals 18" and greater typically use the L-bracket method of attachment pictured at top left. All decorative capitals smaller than 18" typically use extended neck method of attachment pictured at bottom left.