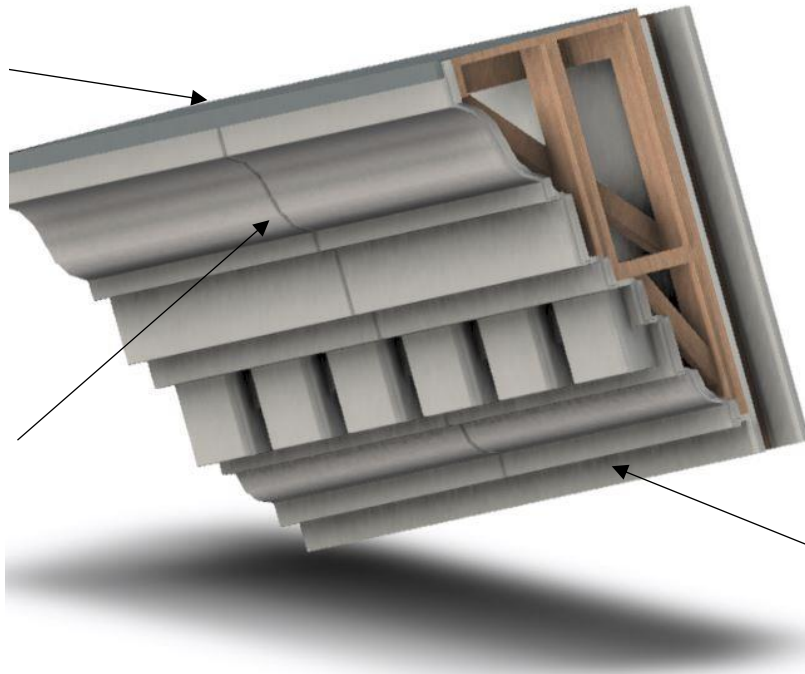


# RoyaLite™ Fiberglass Cornice Installation Instructions

*By Royal Corinthian*

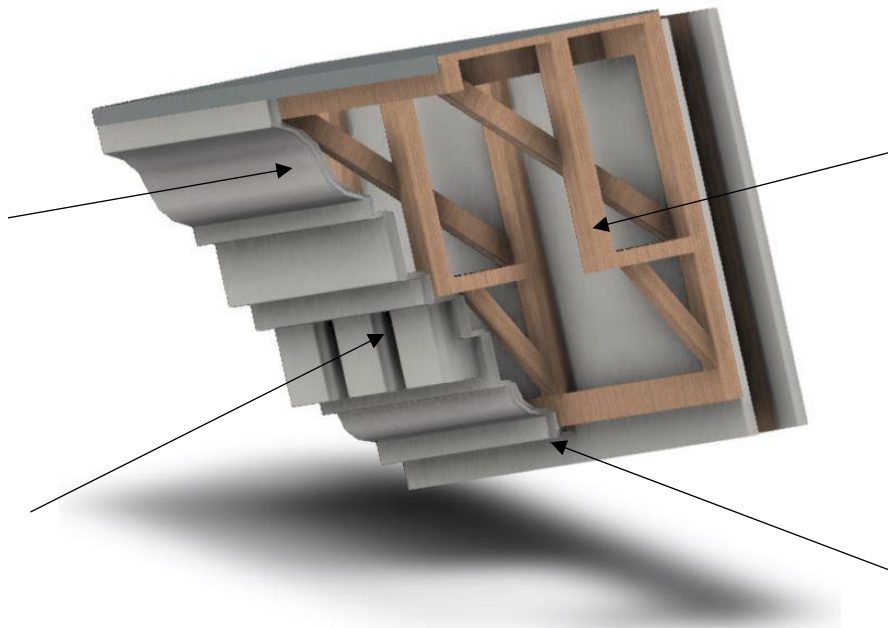
For cornice without a return at the top, install exterior grade plywood with metal flashing. For cornice with a return, plywood is not required.



In moderate or cold weather, allow for a 1/8" to 1/4" expansion joint between sections of cornice. Use sealant to cover the expansion gap between two sections of cornice.

Continuous sealant should be applied by the installer upon completion of the installation.

Where there is a lap joint, the attachment framing needs to be notched or set back to ensure a flush fit.

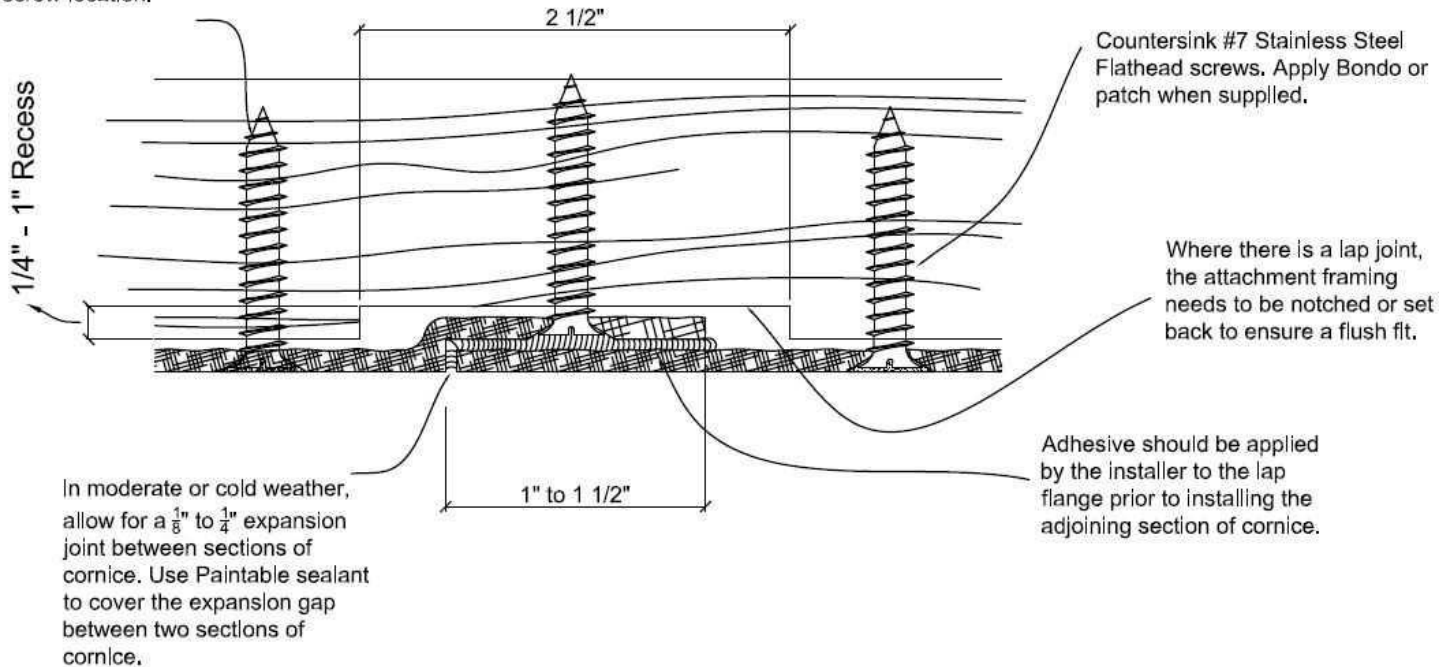


Installation should progress from left to right when the lap flange is on the right side of the cornice and vice versa.

All framing, blocking, and substrate should be exterior grade lumber or corrosion resistant metal studs.

Adhesive should be applied by the installer to the lap flange prior to installing the adjoining section of cornice.

If recessed or deleted block at lap is not uniform for fastening, alternate screw location.



## **Tools and Materials**

*Not all the items listed below are needed for every installation. Please read the installation instructions in its entirety to determine what tools and materials are needed for a particular installation.*

- |   |  |
|---|--|
| <ul style="list-style-type: none"> <li>• Safety Glasses</li> <li>• Pencil</li> <li>• Measuring Tape</li> <li>• Drill / Screw Gun</li> <li>• Level</li> <li>• Caulk Gun</li> <li>• Circular Saw or Equivalent</li> <li>• Combination Square</li> <li>• Hammer or Nail Gun</li> <li>• Polyurethane Based Paint</li> </ul> | <ul style="list-style-type: none"> <li>• Lumber or Metal Studs</li> <li>• Nail Countersink Tool</li> <li>• #7 x 1-5/8" Stainless Steel Trim Head Screws</li> <li>• Corrosion Resistant Nails or Screws</li> <li>• Bondo</li> <li>• Adhesive "adhesive"</li> <li>• Colored or Paintable Sealant "sealant"</li> <li>• Wet Cloth</li> <li>• Sandpaper</li> <li>• Ladder or Scaffolding</li> </ul> |
|---|--|

## **General Notes**

1. Framing, blocking, and substrate pictured is a suggestion for that particular cornice profile. Every cornice will have different framing requirements. Framing may need to be verified by a licensed engineer in the state in which the cornice will be installed. All framing, blocking, and substrate should be exterior grade lumber or corrosion resistant metal studs.
2. All blocking/framing/substrate, metal flashing, fasteners, and adhesive/sealants/caulk/Bondo/putty are supplied by the installer.

## Installation Instructions

1. **Plan Ahead:** For cornice with a repetitive pattern, corner pieces, etc., plan ahead in order to insure congruity from one end of the elevation to the other.
2. **Frame:** Wood or galvanized frame blocking should be installed every 16"-24" on center.
3. **Notch or Set Back:** Blocking needs to be notched or set back by a 1/4" to 1" at every lap joint location.
4. **Direction of Progress:** Most cornices will have an integrated lap flange on the left side of the cornice so begin an elevation at the right side of the building and move left. Do the opposite for cornice with the lap flange on the right side of the cornice.
5. **Sand:** Lap flanges should be sanded at ground level prior to installation and wiped down in order to accept adhesive properly. Do not prime/paint lap flanges.
6. **Prime:** Priming the cornice is not needed unless areas where body work was done are exposed or if recommended by the paint manufacturer. If priming the entire cornice, make sure to wipe down the cornice with wax/grease remover, lightly and thoroughly sand each piece, and wipe down again.
7. **Paint:** If painting the cornice, make sure to wipe down the cornice with wax/grease remover, lightly and thoroughly sand each piece, and wipe down again. Do this at ground level. Cornice may be painted with polyurethane based paints. Painting at ground level is recommended although that may require touchups at screw holes once installed. Factory finishes in an assortment of colors as well as stone and granite finishes are available.
8. **Attach and Countersink:** Raise the section of cornice, predrill where blocking occurs, and countersink the #7 trim head screws to sit just below the surface of the gelcoat.
9. **Apply Adhesive:** Once the section of cornice is attached with #7 x 1-5/8" stainless steel trim head screws, apply a bead of adhesive onto the sanded lap flange that should be resting inside of the notched or set back blocking.
10. **Expansion Joint:** In cold to moderate weather, allow for a 1/8" to 1/4" expansion joint when positioning the adjoining cornice piece.
11. **Install Flashing:** For cornice without a return at the top, install exterior grade plywood with metal flashing. For cornice with a return, plywood is not required.
12. **Caulk:** Finish the seams between each section of cornice with color matching elastic caulk/sealant to allow for expansion and contraction. Continuous sealant should be applied where the cornice meets the façade. Use a paintable sealant if painting over it.
13. **Conceal Screws:** Screw heads, if desired, can be concealed with the color matching caulk/sealant or filled with sealant/Bondo/putty and touched up with primer/paint.

